

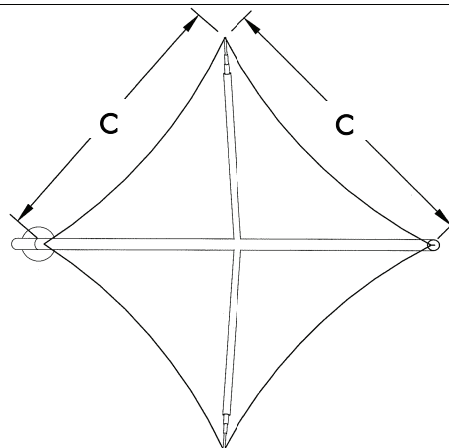
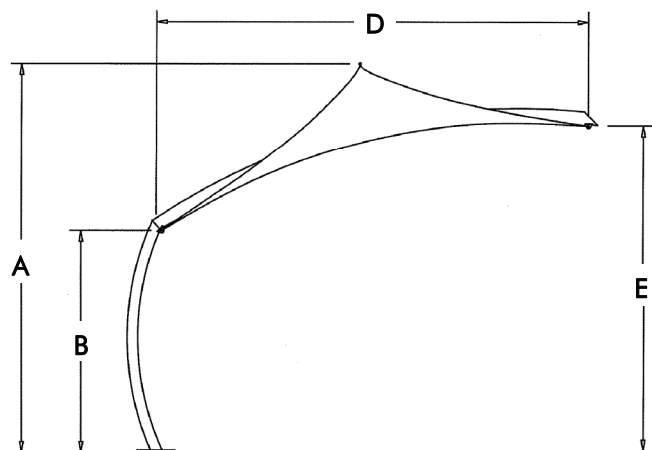
# FLEXSHADE <sup>®</sup>

# Quad <sup>™</sup>

- Features:**
- ✘ Fire Rated PVC with PVDF Top Finish.
  - ✘ Hot Zinc & Powder Coated Steelwork. (Alternative Stainless Steel Support Frame)
  - ✘ Stainless Steel Cables & Fittings.
  - ✘ Minimal Footings for Area Covered.
  - ✘ Designed to ASCE7 and AS1170 Code and to comply with other codes worldwide for 145km/hr (90mph) wind speed.

## Quad <sup>™</sup> Series

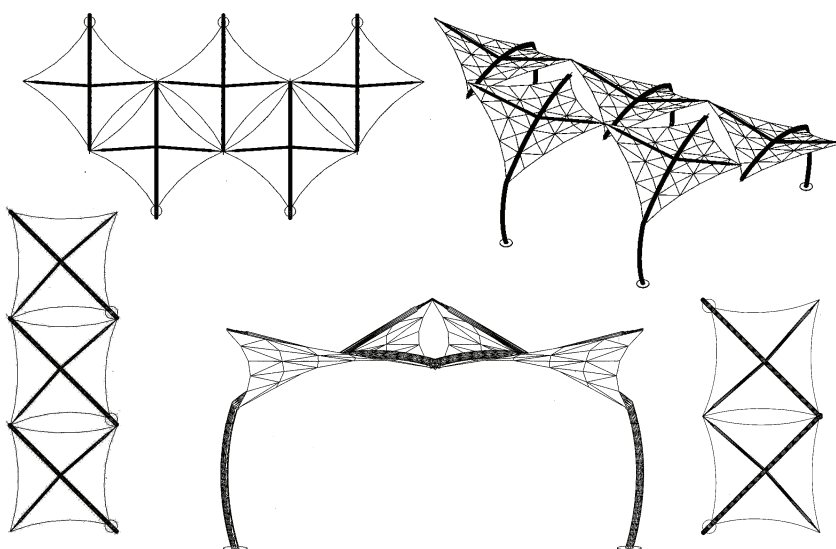
## Square Module Quad <sup>™</sup>



TYPE	*A	*B	*C	*D	*E	SHIPPING	
						DIMENSIONS	WEIGHT
Quad 2.0M	3425	2100	2000	2830	3070	3010 x 420 x 475 mm	146 kg
Quad 3.0M	3573	2100	3000	4143	3090	4200 x 420 x 475 mm	235 kg
Quad 4.0M	4200	2490	4000	5560	3705	3010 x 525 x 525 mm	446 kg

## Quad <sup>™</sup> Links

Flexshade <sup>®</sup> Quad <sup>™</sup> modules can be connected to provide weatherproof cover.



Flexshade <sup>®</sup> Quad <sup>™</sup> can be supplied with membrane on top or below the steel.



An Activity of **TENSION SPAN STRUCTURES PTY LTD** ABN 20 050 400 836  
**Ph: (07) 3854 1900** Intl Ph: +61 7 3854 1900 **Fax: (07) 3265 4946**  
**Email: sales@flexshade.com** **Web: www.flexshade.com**



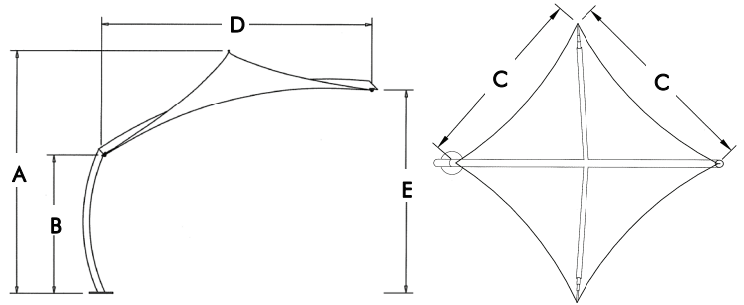
# Technical Specifications

## Quad™ Range

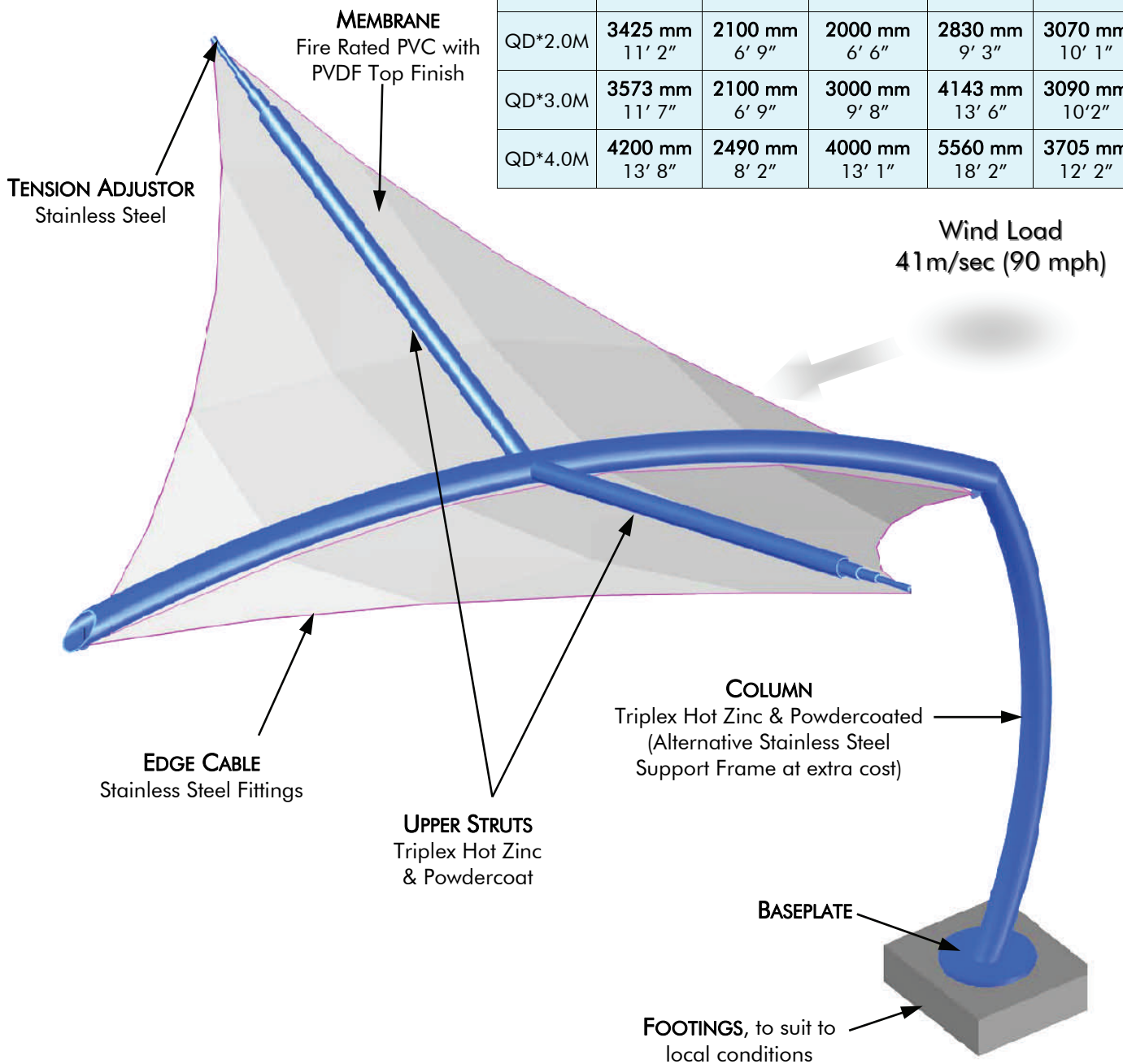
QD 2.0M, QD 3.0M, QD 4.0M

Wind Rating : 41m/sec (90mph)  
Exposure B to ASCE 7

Plan Areas : QD\*2.0M - 3.5 sq.m (38 sq.ft)  
QD\*3.0M - 8.0 sq.m (86 sq.ft)  
QD\*4.0M - 14.1 sq.m (152 sq.ft)



TYPE	A	B	C	D	E
QD*2.0M	3425 mm 11' 2"	2100 mm 6' 9"	2000 mm 6' 6"	2830 mm 9' 3"	3070 mm 10' 1"
QD*3.0M	3573 mm 11' 7"	2100 mm 6' 9"	3000 mm 9' 8"	4143 mm 13' 6"	3090 mm 10' 2"
QD*4.0M	4200 mm 13' 8"	2490 mm 8' 2"	4000 mm 13' 1"	5560 mm 18' 2"	3705 mm 12' 2"



Flexshade® Quad™ can be designed to suit specific customer requirements for height and plan dimension.